

# DANZAPULSE+

WALL FACE PAN

CODE: DZ210-C

**gallaria**

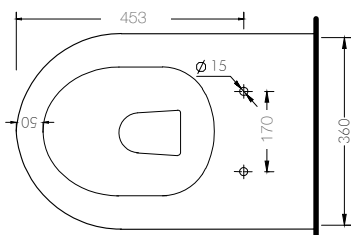
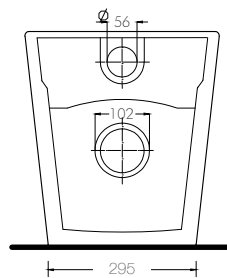
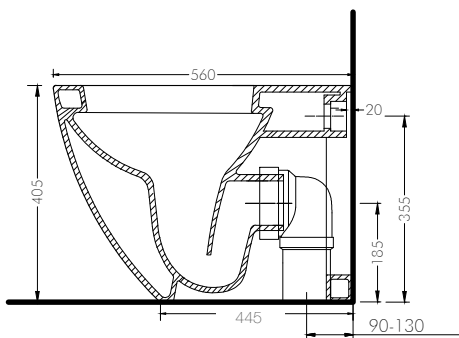
intelligentbathrooms®



- Inclusions**
- ✓ DANZAPULSE+ Wall Face Pan with Bottom Inlet Intelligent Bidet Seat
  - ✓ Waste pipes
  - ✓ Check valve/ball valve & inlet hose

- Features**
- Heated seat
  - Instantly heated water 35°C-38°C
  - Self-cleaning shower spray nozzle with rear and woman's wash functions
  - Easy to use control knob to adjust and control wash
  - Adjustable flush volume
  - Aerated wash stream
  - Soft close seat
  - Rimless pan for reduced bacteria build-up
  - Remote control excluded

- Note**
- Integrated Bidet Seat Complies with WMTS-051
- Bidet Seat includes integrated break tank with air gap, complying with AS 2845.2
  - Integrated high hazard back flow prevention device complies installation standards outlined in AS/NZS 3500.1 without the need for a RPZ valve.



### Notes for the installer

Connection to rain water or grey water is not recommended. It should only be operated with potable/drinking water.

Standard setout: 90-130mm

The maximum water pressure for water supply is 500kpa.

Power supply requirements: Dedicated 10A min, 220-240V AC, 50/60Hz supply

WELS: 0016  
WM: 030025

# DANZAPULSE+

WALL FACE PAN

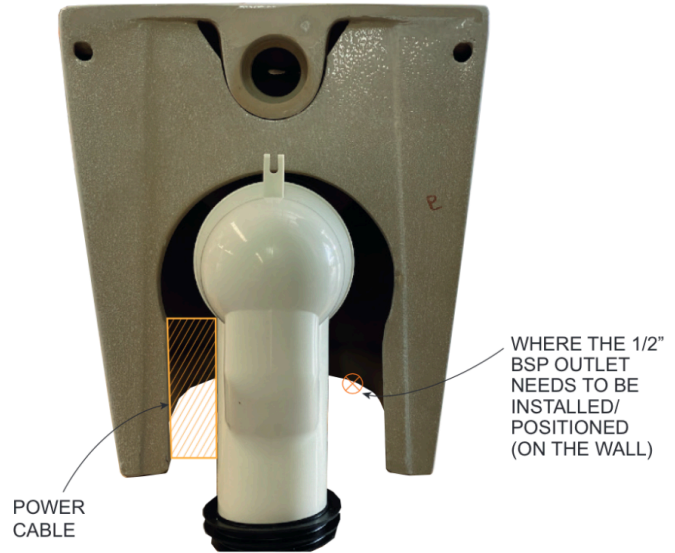
CODE: DZ210-C

**gallaria**

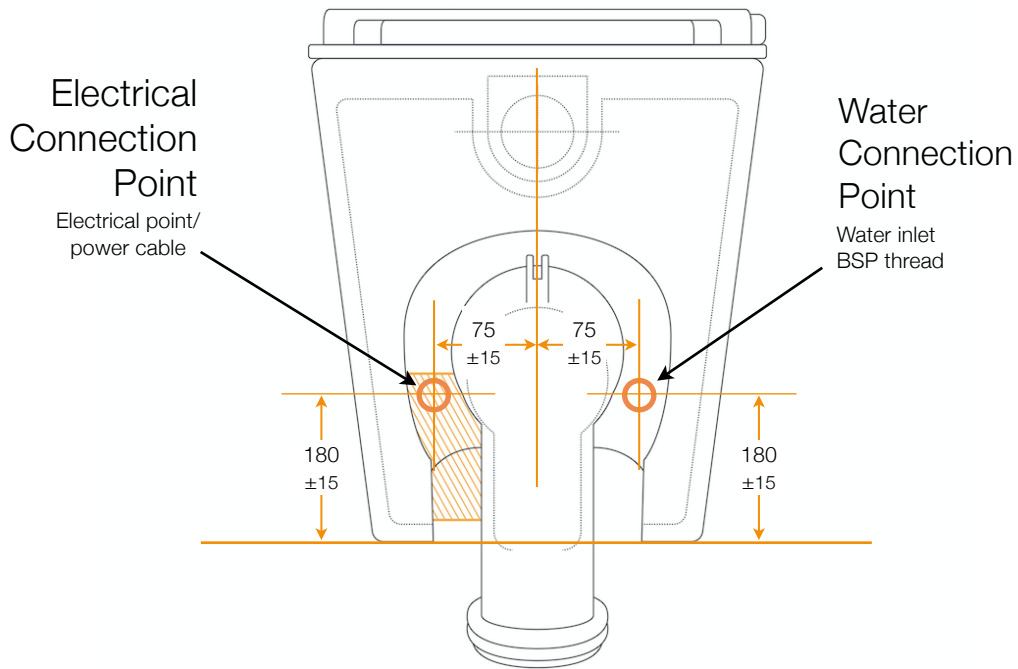
intelligentbathrooms®

WATER &  
ELECTRICAL  
CONNECTION  
DETAILS

REAR VIEW



REAR VIEW



WELS: 0016  
WM: 030025